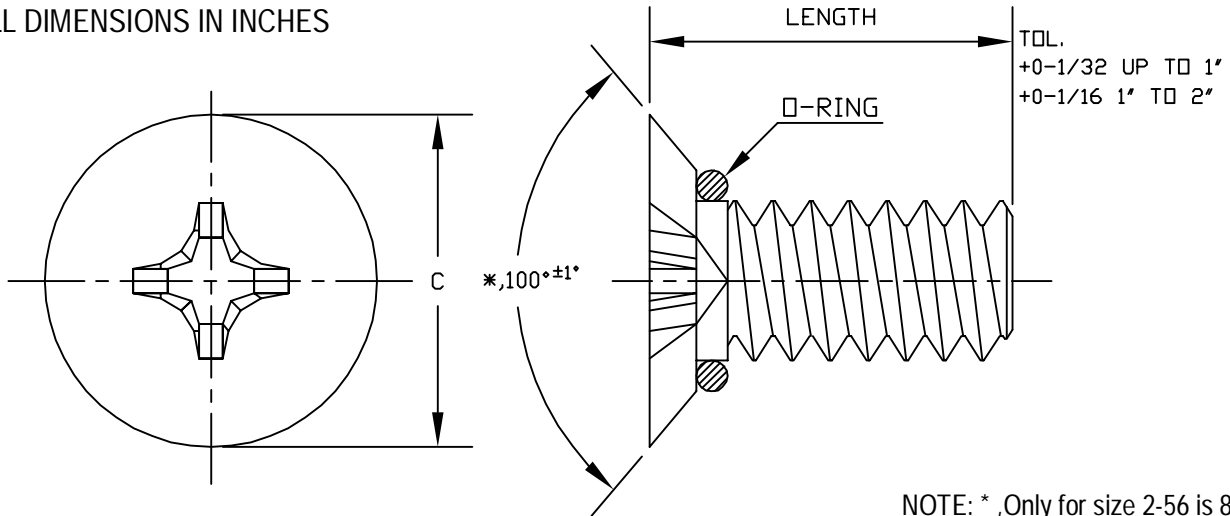
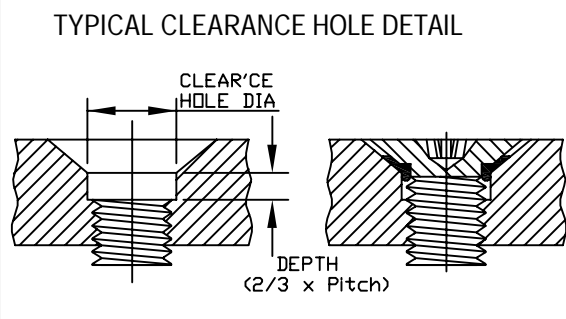


ALL DIMENSIONS IN INCHES



THREAD SIZE	C max	Head driver size	RECOM. CLEAR. HOLE		LENGTH
			MIN.	MAX.	
* 2-56 UNC-2A	0.172"	#1	0.091"	0.095"	1/4" TO 1" Incl.
4-40 UNC-2A	0.225"	#1	0.125"	0.129"	1/4" TO 1" Incl.
6-32 UNC-2A	0.279"	#1	0.147"	0.152"	1/4" TO 1" Incl.
8-32 UNC-2A	0.332"	#2	0.173"	0.179"	1/4" TO 1" Incl.
10-24 UNC-2A	0.385"	#2	0.199"	0.204"	5/16" TO 1" Incl.
10-32 UNF-2A	0.385"	#2	0.199"	0.204"	5/16" TO 1" Incl.
1/4-20 UNC-2A	0.507"	#3	0.265"	0.269"	3/8" TO 1 1/4" Incl.



STANDARD SPECIFICATIONS & COMMON OPTIONS (HOW TO ORDER)

STD. SCREW MATERIAL: TYPE 18/8 STAINLESS STEEL PER DFARS (OTHER MATERIALS AVAILABLE)
 STD. SCREW FINISH: NATURAL (PASSIVATED PER MIL-STD-171 UNLESS OTHERWISE SPECIFIED)
 STD. O-RING MATERIAL: SILICONE RUBBER (SEE TABLE FOR O-RING OPTIONS)

SAMPLE CATALOG NO.		SFR4-40X1/4-2701-BLKOX		AVAILABLE O-RING MATERIALS			COMMON OPTIONS	
SCREW TYPE	SFR	FLAT HEAD WITH C'SUNK RECESS		Compound Suffix	Material	Service Temp.	SUFFIX	DESCRIPTION
THREAD	4-40	ENTER BASIC THREAD SIZE		-2701	Silicone Rubber	-150°F to 500°F -101°C to 260°C	-BLKOX	BLACK OXIDE PER MIL-C-13924A, CLASS 2
LENGTH	X			-2615	Fluoro-Silicone Rubber	-78°F to 450°F -61°C to 232°C	-NY	LOCKING NYLON PELLET
O-RING SUFFIX	-2701	ENTER FROM TABLE		-5701	Viton® A	-20°F to 400°F -29°C to 204°C	-LY	LOCKING NYLON STRIP
OPTIONS	-BLKOX	ENTER FROM TABLE		-4601	Buna N (NBR)	-65°F to 250°F -54°C to 121°C	-TP	LOCKING NYLON STD. PATCH
				-3701	Neoprene (EPR)	-65°F to 300°F -54°C to 149°C	-HTP	HIGH TEMP. LOCKING NYLON PATCH
				-7601	Ethylene Propylene (EPDM)	-65°F to 300°F -54°C to 149°C		

M	CHANGED HEAD DRIVER SIZE OF 6-32 from #2 to #1	S. GOK	01.27.10
L	ADDED "PER DFARS" FOR THE SCREW MATERIAL	S. GOK	07.02.09
K	NEW DRAWING FORMAT	S. GOK	01.21.09
J	CAD COMPUTER GENERATED		12.23.02
REV.	DESCRIPTION	DATE	
MAXIMUM AND MINIMUM MEASUREMENTS ARE STATED DIRECTLY ON EACH DIMENSION.	TITLE: SEELSKREW®, FLATHEAD C'SUNK, RECESSED	ENG. M.M.	10.24.58
		DWN. J.P.	10.24.58
		CHKD.	
MAT'L: AS NOTED	APM-HEXSEAL CORPORATION	SCALE	DWG. NO. SFR-0000-00-00
FINISH: AS NOTED			

THIS DRAWING COVERS PROPRIETARY ITEM AND IS THE PROPERTY OF THE APM-HEXSEAL CORPORATION.
 THIS DRAWING IS NOT TO BE COPIED OR USED WITHOUT THE WRITTEN APPROVAL OF AN OFFICER OF THE APM-HEXSEAL CORPORATION.